

Threaded Version - Type EFK-SC & EFG-SC

DESCRIPTION

The new EBE ECOFLOW venturi orifice steam trap range is designed to meet the rigorous requirements demanded by today's industrial plant users. Developed on a modular concept, the trap encompasses a wide range of capacities. From minimal condensate flow requirements, on line drainage and trace heating systems, through to the high flow volumes and variable loads of process heating applications. The trap's unique innovative design allows for both these conditions to be serviced within the same threaded or socket welded body.

The new EBE ECOFLOW threaded or socket welded trap incorporates the first venturi steam trap design that is integral with the cast housing. Delivering permanent solutions for all steam trapping requirements. The venturi orifice technology forms part of your total steam system pipework. With no moving parts it is a permanent part of the steam system and will never need replacement.

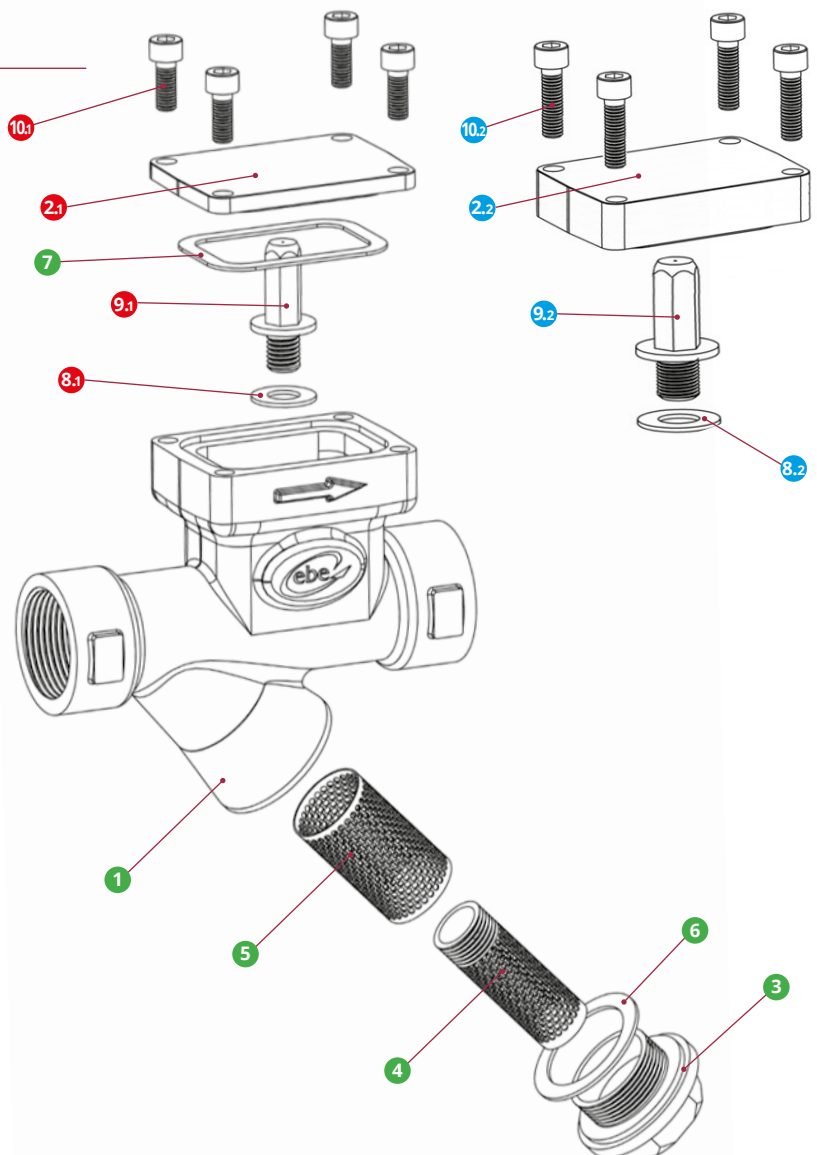
FEATURES

- Unique modular design for low and high condensate flow
- Multiple nozzle configurations designed for optimum efficiency at operating point.
- Fully cast housing with optional BSP threaded or socket weld connections
- Flexible filtration options, increased secondary filtration available for contaminated systems
- Graphite seals metal bonded and fully encapsulated to eliminate leakages
- All BSP thread dimensions in accordance with ISO 7-1:1994
- In line constructions allows for removal and cleaning of filters and nozzles

ASSEMBLY

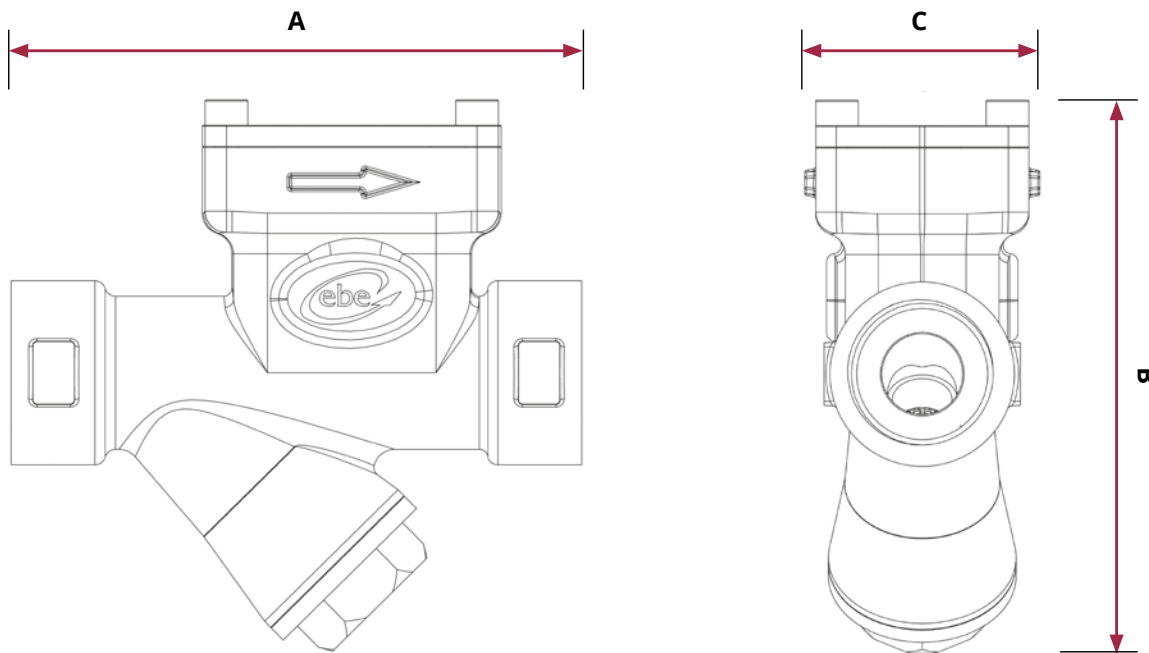
NO. PART

- 1 Threaded or socket welded body**
ASTM 304 SS (DIN 1.4308Equivalent)
- 2.1 Top Cap (EFK)**
- 2.2 Top Cap (EFG)**
ASTM 304 SS (DIN 1.4308Equivalent)
- 3 Filter Cap**
ASTM 304 SS (DIN 1.4308Equivalent)
- 4 Optional Contaminated System Filter**
800 Micron SS reinforced 304 SS (DIN 1.4301Equivalent)
- 5 Principal Filter**
400 or 800 Micron SS reinforced 304 SS and 304L SS (DIN 1.4301 and 1.4306 Equivalent)
- 6 Strainer Gasket**
Metal reinforced graphite
- 7 Top Cap Gasket**
Metal reinforced graphite
- 8.1 Variable Nozzle Gasket (EFK)**
- 8.2 Variable Nozzle Gasket (EFG)**
Metal reinforced graphite
- 9.1 Variable Nozzle (EFK)**
- 9.2 Variable Nozzle (EFG)**
ASTM 304 SS (DIN 1.4404 Equivalent)
- 10.1 Top Cap retaining screws (EFK)**
M8 x 15 Stainless
- 10.2 Top Cap retaining screws (EFG)**
M8 x 25 retaining



Threaded Version - Type EFK-SC & EFG-SC *continued*

DIMENSIONS AND WEIGHTS



Type EFK-SC					
Size	Connection	A	B	C	Approx Weight
DN15	½" BSP or socket weld	130 mm	130 mm	50 mm	2.0 kg
DN20	¾" BSP or socket weld	130 mm	130 mm	50 mm	2.0 kg
DN25	1" BSP or socket weld	130 mm	130 mm	50 mm	2.0 kg

Type EFG-SC					
Size	Connection	A	B	C	Approx Weight
DN15	½" BSP or socket weld	130 mm	145 mm	50 mm	2.2 kg
DN20	¾" BSP or socket weld	130 mm	145 mm	50 mm	2.2 kg
DN25	1" BSP or socket weld	130 mm	145 mm	50 mm	2.2 kg

SIZES AND CONNECTIONS

BSP ½" (DN15); BSP ¾" (DN20); BSP 1" (DN25)
 Socket weld ends DN15, DN20, DN25
 Other socket connections available on request at additional cost

PRESSURE / TEMPERATURE LIMITS

PMA (Maximum Allowable Pressure)	80 bar g
TMA (Maximum Allowable Temperature)	400°C
PMO (Maximum Operating Pressure)	65 bar g
TMO (Maximum Operating Temperature)	350°C
Cold hydraulic test pressure	100 bar g

CERTIFICATION

- All steam traps carry a ten year performance guarantee
- Material inspection Certificate, in accordance to DIN EN 10204: 3:1, available on request
- Pressure test certificates, in accordance to European Pressure Equipment Directive 2014/68/EU, available on request

All certification delivered at additional cost
 Certification requirements to be stated at time of order

Optional extras

ISOJAG Nomex material insulation jacket. See separate technical Data Sheet for specifications
 Contaminated system filter for low flow and small nozzle sizes