

Flange Version

Flange sizes DN40 and DN50 – Type EFK/G/X-F

DESCRIPTION

ECOFLOW is the worlds first and only fully cast venturi orifice steam trap in the market today. Now available in flange sizes DN40 and DN50. This expands on flange sizes DN15 through DN25 and completes all sizes in the ISO ECOFLOW range.

The new DN40 and DN50 are cast in foundries approved to meet the rigorous requirements demanded by the European pressure directive 2014/68/EU and the stringent German AD2000 Merkblatt W0. Developed on the same modular concept in the entire ECOFLOW range, the trap encompasses a wide range of capacities. Allowing the ECOFLOW range to meet minimal condensate flow requirements on line drainage and trace heating systems, through to the high flow volumes and variable loads of process heating applications. The trap's unique innovative design allows for all steam load conditions to be serviced within different flanged bodies.

ASSEMBLY

PART NO. DESCRIPTION

See table page two **Flanged Body**
DIN 1.4408 (ASTM A351 – CF8M Equivalent)

1140 Filter Cap
DIN 1.4408 (ASTM A351 – CF8M Equivalent)

1190 Principal Filter
400 or 800 Micron SS reinforced 304 SS
(DIN 1.4301 Equivalent)

1200 Strainer/EFX Variable Nozzle Gasket
Metal reinforced graphite

1230 EFG Variable nozzle Gasket
Metal reinforced graphite

1250 EFG Variable Nozzle
ASTM 304 SS (DIN 1.4301 Equivalent)

1271 EFK Top Cap retaining screws
M10 x 25 Stainless

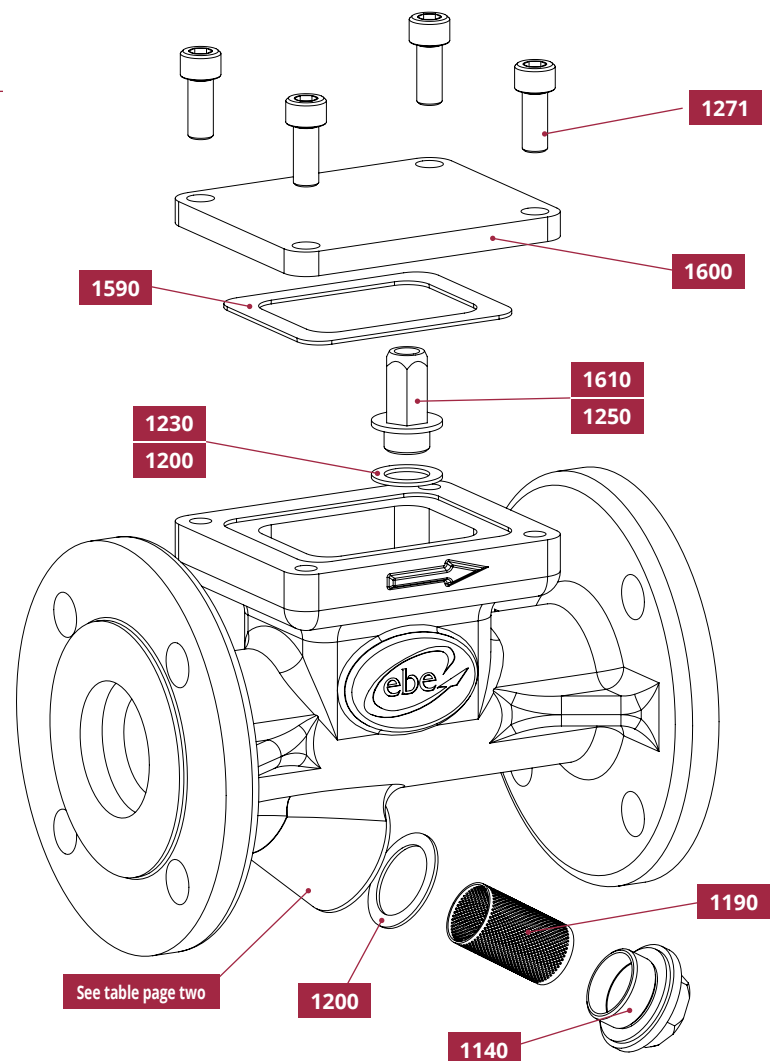
1590 Top Cap Gasket
Metal reinforced graphite

1600 Top Cap
DIN 1.4408 (ASTM A351 – CF8M Equivalent)

1610 EFX Variable Nozzle
ASTM 304 SS (DIN 1.4301 Equivalent)

FEATURES

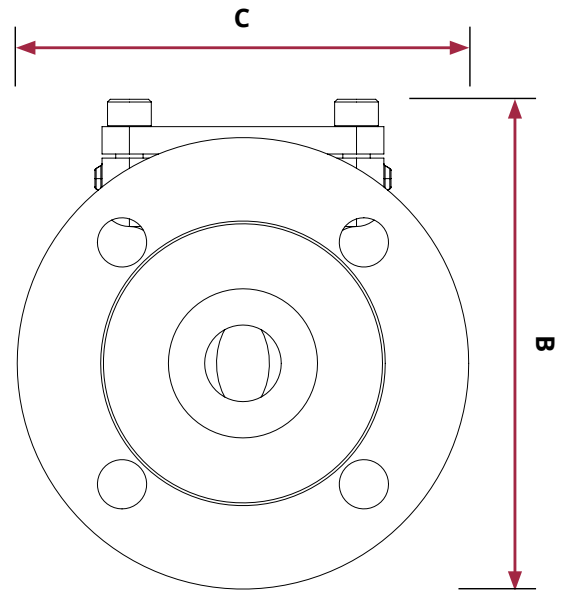
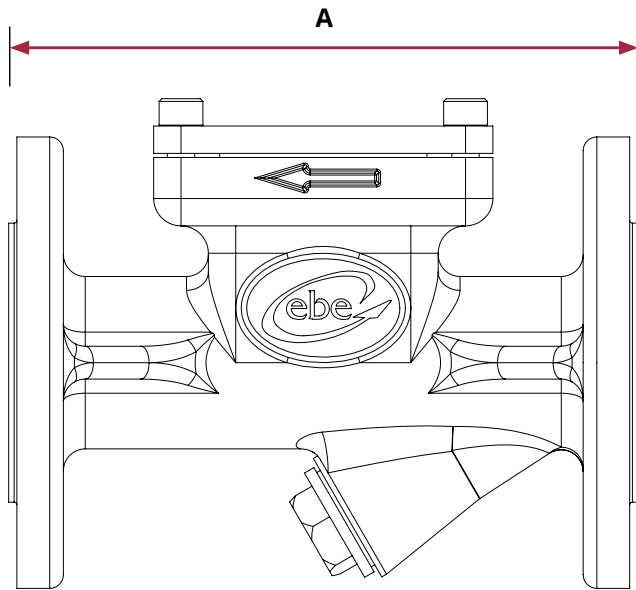
- Unique modular design for low and high condensate flow
- Multiple nozzle configurations designed for optimum efficiency at operating point.
- Fully cast flanged housing eliminates any weld joints and guarantees pressure integrity
- Graphite seals metal bonded and fully encapsulated to eliminate leakages
- All face to face dimensions in accordance with ISO 26554
- In line constructions allows for removal and cleaning of filters and nozzles



Flange Version

Flange sizes DN40 and DN50 – Type EFK/G/X-F *continued*

DIMENSIONS AND WEIGHTS



Type EFK/G-F						
Part No.	Size	Connection	A mm	B mm	C mm	Approx Weight
1470	DN40	Flange Form B PN40	230	165	150	11.6 kg
1480	DN50	Flange Form B PN40	230	169	165	12.5 kg

Type EFX-F						
Part No.	Size	Connection	A mm	B mm	C mm	Approx Weight
1570	DN40	Flange Form B PN40	230	165	150	11.8 kg
1580	DN50	Flange Form B PN40	230	169	165	12.7 kg

SIZES AND CONNECTIONS

Face to face dimensions in conformance to EN 26554 (ISO 6554) Series 1
 Flanges conforming to EN 1092-1 form B PN40 as standard
 Higher pressure flanges or ASME available on request at additional cost

PRESSURE / TEMPERATURE LIMITS

PMA (Maximum Allowable Pressure)	90 bar g
TMA (Maximum Allowable Temperature)	500°C
PMO (Maximum Operating Pressure)	75 bar g
TMO (Maximum Operating Temperature)	350°C
Cold hydraulic test pressure	100 bar g

CERTIFICATION

- All steam traps carry a ten year performance guarantee
- Material inspection Certificate, in accordance to DIN EN 10204: 3:1, available on request
- Pressure test certificates, in accordance to European Pressure Equipment Directive 2014/68/EC, available on request

All certification delivered at additional cost
 Certification requirements to be stated at time of order

We reserve the right to make technical and design changes to the descriptions and specifications in our Data Sheets, catalogues or similar sales documents in the same or better quality and we may exchange parts and components against such of same or better technical standards; for the Customer no rights will arise resulting from this Conduct.

PERFORMANCE DATA

Steam trap body	Max flow rate	
	@ 10 bar	@ 20 bar
EFK (<i>drip leg/trace heating</i>)	40kg/hr	55kg/hr
EFK (<i>Low flow process</i>)	1000kg/hr	1400kg/hr
EFG (<i>High flow process</i>)	11500kg/hr	15500kg/hr
EFX (<i>V.high flow process</i>)	<11500kg/hr*	<15500kg/hr*

**For V.high flow duty conditions consult EBE direct*

Note:

- EFG duty conditions available as standard in DN25, DN40 and DN50 flanged housings. Other flange sizes available upon request
- Pressures above 20 bar, duty conditions are available upon request

Optional extras

ISOJAG Nomex material insulation jacket. See separate technical Data Sheet for specifications